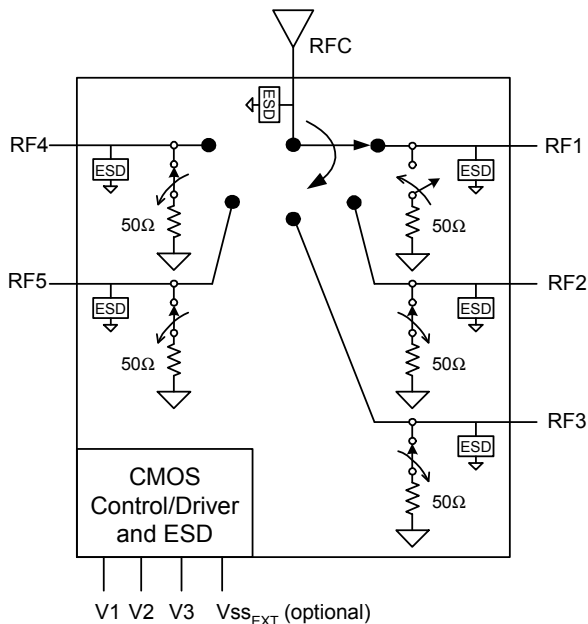


### Product Description

The PE42451 is a HaRP™-enhanced Absorptive SP5T RF Switch developed on the UltraCMOS™ process technology. This general purpose switch is comprised of five symmetric RF ports and has very high isolation. An on-chip CMOS decode logic facilitates a three-pin low voltage CMOS control interface and an optional external Vss feature (Vss<sub>EXT</sub>). High ESD tolerance and no blocking capacitor requirements make this the ultimate in integration and ruggedness.

Peregrine's HaRP™ technology enhancements deliver high linearity and exceptional harmonics performance. It is an innovative feature of the UltraCMOS™ process, providing performance superior to GaAs with the economy and integration of conventional CMOS.

**Figure 1. Functional Diagram**



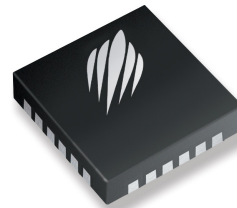
### SP5T Absorptive UltraCMOS™ High-Isolation RF Switch 450-4000 MHz, Vss<sub>EXT</sub> option

#### Features

- HaRP™-enhanced UltraCMOS™ device
- Five symmetric, absorptive RF ports
- High Isolation:
  - 68 dB at 450 MHz
  - 62 dB at 900 MHz
  - 55 dB at 2100 MHz
  - 53 dB at 2600 MHz
  - 50 dB at 4000 MHz
- IIP2 of 95 dBm, IIP3 of 58 dBm
- High ESD tolerance of 3500 V HBM
- Optional External Vss Control (Vss<sub>EXT</sub>)
- Three pin CMOS logic control
- No blocking capacitors required
- Small RoHS-Compliant 24-lead 4x4 mm QFN package

**Figure 2. Package Photo**

24-lead 4x4x0.85 mm QFN Package



**Table 1. Electrical Specifications @ 25 °C, V<sub>DD</sub> = 3.0 V (Z<sub>S</sub> = Z<sub>L</sub> = 50 Ω)**

Electrical Parameter	Path	Condition	Min	Typ	Max	Unit
Operating Frequency			450		4000	MHz
Insertion Loss, IL	RFC - RFX	450 MHz		1.6	1.95	dB
	RFC - RFX	900 MHz		1.65	2.05	dB
	RFC - RFX	2100 MHz		1.95	2.30	dB
	RFC - RFX	2600 MHz		2.05	2.40	dB
	RFC - RFX	4000 MHz		2.25	2.75	dB
Isolation, Iso	RFC/RFX - RFX	450 MHz	58.5	68		dB
	RFC/RFX - RFX	900 MHz	53.0	62		dB
	RFC/RFX - RFX	2100 MHz	46.5	55		dB
	RFC/RFX - RFX	2600 MHz	46.5	53		dB
	RFC/RFX - RFX	4000 MHz	41.5	50		dB
Return Loss, Active Port	RFX	450 - 4000 MHz		16		dB
Return Loss, Terminated Port	RFX	450 - 4000 MHz		15		dB
Input 1 dB compression <sup>1</sup> , P1dB	RFX - RFC	All Bands, 100% duty cycle		35		dBm
Input IP2	RFX - RFC	All Bands, 100% duty cycle		95		dBm
Input IP3	RFX - RFC	All Bands, 100% duty cycle		58		dBm
Switching Time, T <sub>sw</sub>	"On"	50% Control to 90% RF		200	500	ns
	"Off"	50% Control to 10% RF		200	500	ns

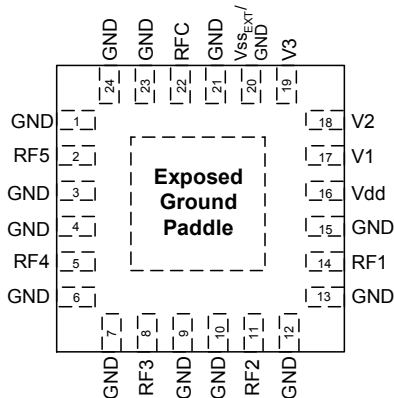
Notes: 1. Please refer to Maximum Operating Power in Table 2

**Table 2. Operating Ranges**

Parameter	Symbol	Min	Typ	Max	Units
V <sub>DD</sub> Supply Voltage	V <sub>DD</sub>	2.7	3.0	3.3	V
V <sub>SS_EXT</sub> Negative Power Supply Voltage <sup>2</sup>	V <sub>SS_EXT</sub>	-3.3	-3.0	-2.7	V
I <sub>DD</sub> Power Supply Current V <sub>DD</sub> = 3.0 V, P <sub>IN</sub> = 0 dBm	I <sub>DD</sub>		14		μA
I <sub>DD</sub> Max Power Supply Current V <sub>DD</sub> = 3.3 V, P <sub>MAX</sub> = 33 dBm, Temperature = -40 °C	I <sub>DD</sub> (max)			50	μA
Control Voltage High	V <sub>IH</sub>	0.7 x V <sub>DD</sub>		V <sub>DD</sub>	V
Control Voltage Low	V <sub>IL</sub>	0		0.3 x V <sub>DD</sub>	V
I <sub>CTRL</sub> Control Current <sup>3</sup>	I <sub>CTRL</sub>			1	μA
Maximum Operating Power (RFX-RFC, All Bands (50Ω), 100% duty cycle)	P <sub>MAX</sub>			33	dBm
Maximum power into termination (RFX, All Bands (50Ω), 100% duty cycle)	P <sub>MAX</sub>			24	dBm
Operating temperature range	T <sub>OP</sub>	-40		+85	°C

Note: 2. Applied only when external V<sub>SS</sub> power supply used.  
Pin 20 must be grounded when using internal V<sub>SS</sub> supply.  
3. Pull-down resistor in EVK schematic may increase control current.

**Figure 3. Pin Configuration (Top View)**



**Table 3. Pin Descriptions**

Pin #	Name	Description
1, 3, 4, 6, 7, 9, 10, 12, 13, 15, 21, 23, 24	GND	Ground
2	RF5 <sup>4</sup>	RF I/O
5	RF4 <sup>4</sup>	RF I/O
8	RF3 <sup>4</sup>	RF I/O
11	RF2 <sup>4</sup>	RF I/O
14	RF1 <sup>4</sup>	RF I/O
16	V <sub>DD</sub>	Supply
17	V1	Switch control input, CMOS logic level
18	V2	Switch control input, CMOS logic level
19	V3	Switch control input, CMOS logic level
20	V <sub>SS</sub> EXT / GND <sup>5</sup>	External Vss Control / Ground
22	RFC <sup>4</sup>	RF Common
Paddle	GND	Ground for proper device operation

Note: 4. Blocking capacitors needed only when non-zero DC voltage present.  
5. Pin 20 must be grounded when using internal Vss supply

**Table 4. Absolute Maximum Ratings**

Symbol	Parameter/Conditions	Min	Max	Units
T <sub>ST</sub>	Storage temperature range	-60	+150	°C
P <sub>MAX</sub>	Maximum Operating Power (RFX-RFC, All Bands (50Ω), 100% duty cycle)		33	dBm
P <sub>MAX</sub>	Maximum power into termination (RFX, All Bands (50Ω), 100% duty cycle)		24	dBm
V <sub>ESD</sub>	ESD Voltage HBM <sup>6</sup> , All Pins		3500	V
V <sub>ESD</sub>	ESD Voltage MM <sup>7</sup> , All Pins		150	V

Notes: 6. Human Body Model ESD Voltage (HBM, MIL\_STD 883 Method 3015.7)  
7. Machine Model ESD Voltage (JESD22-A115-A)

Exceeding absolute maximum ratings may cause permanent damage. Operation should be restricted to the limits in the Operating Ranges table.

### Electrostatic Discharge (ESD) Precautions

When handling this UltraCMOS™ device, observe the same precautions that you would use with other ESD-sensitive devices. Although this device contains circuitry to protect it from damage due to ESD, precautions should be taken to avoid exceeding the specified rating.

### Latch-Up Avoidance

Unlike conventional CMOS devices, UltraCMOS™ devices are immune to latch-up.

### Moisture Sensitivity Level

The Moisture Sensitivity Level rating for the PE42451 in the 24-lead 4x4 QFN package is MSL1.

### Optional External Vss Control (VssEXT)

For proper operation, the V<sub>SS</sub>EXT control must be grounded or at the V<sub>SS</sub> voltage specified in the Operating Ranges table (Table 2). When the V<sub>SS</sub>EXT control pin on the package is grounded the switch FET's are biased with an internal low spur negative voltage generator. For applications that require the lowest possible spur performance, V<sub>SS</sub>EXT can be applied to bypass the internal negative voltage generator to eliminate the spurs.

### Switching Frequency

The PE42451 has a maximum 25 kHz switching rate when the internal negative voltage generator is used (pin 20=GND). The rate at which the PE42451 can be switched is only limited to the switching time if an external -3 V supply is provided (pin 20=V<sub>SS</sub>EXT).

**Table 5. Truth Table**

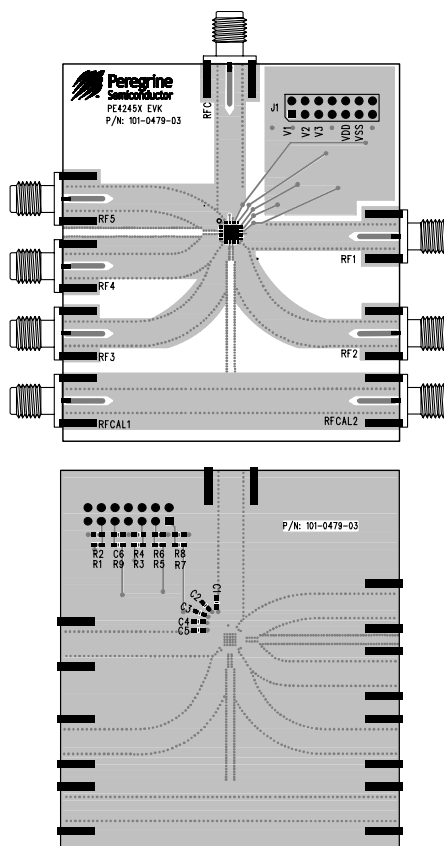
Mode	V3	V2	V1
All off	0	0	0
RF1 on	0	0	1
RF2 on	0	1	0
RF3 on	0	1	1
RF4 on	1	0	0
RF5 on	1	0	1
All off	1	1	0
Unsupported	1	1	1

### Evaluation Kit

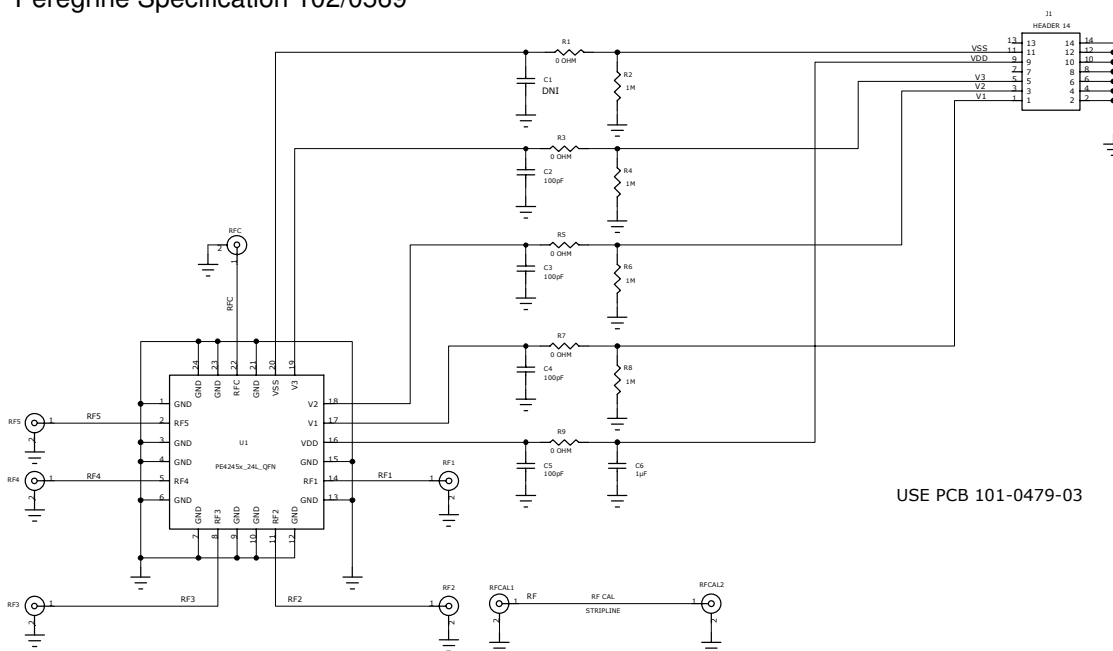
The SP5T switch EK Board was designed to ease customer evaluation of Peregrine's PE42451. The RF common port is connected through a 50 Ω transmission line via the top SMA connector. RF1, RF2, RF3 and RF4 are connected through 50 Ω transmission lines via side SMA connectors. A through 50 Ω transmission is available via SMA connectors RFCAL1 and RFCAL2. This transmission line can be used to estimate the loss of the PCB over the environmental conditions being evaluated.

The EVK board is constructed with four metal layers on dielectric materials of Rogers 4003C and 4450 with a total thickness of 32 mils. Layer 1 and layer 3 provide ground for the 50 ohm transmission lines. The 50 ohm transmission lines are designed in layer 2 for high isolation purpose and use a stripline waveguide design with a trace width of 9.4 mils and trace metal thickness of 1.8 mils. The board stack up for 50 ohm transmission lines has 8 mil thickness of Rogers 4003C between layer 1 and layer 2, and 10 mil thickness of Rogers 4450 between layer 2 and layer 3. Please consult manufacturer's guidelines for proper board material properties in your application. The PCB should be designed in such a way that RF transmission lines and sensitive DC i/o traces such as V<sub>SS</sub>EXT are heavily isolated from one another, otherwise the true performance of the PE42451 will not be yielded.

**Figure 4. Evaluation Board Layouts**  
Peregrine Specification 101/0479



**Figure 5. Evaluation Board Schematic**  
Peregrine Specification 102/0569



Performance Plots @ 25 °C and 3.0 V unless otherwise specified

Figure 6. Insertion Loss: RFC-RFX @ 25 °C

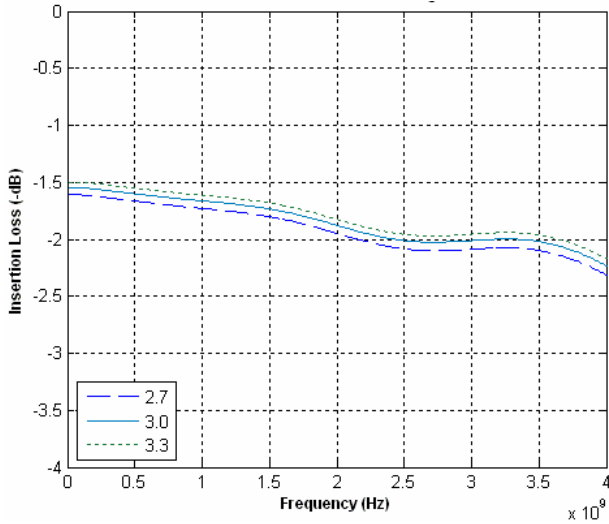


Figure 7. Insertion Loss: RFC-RFX @ 3.0 V

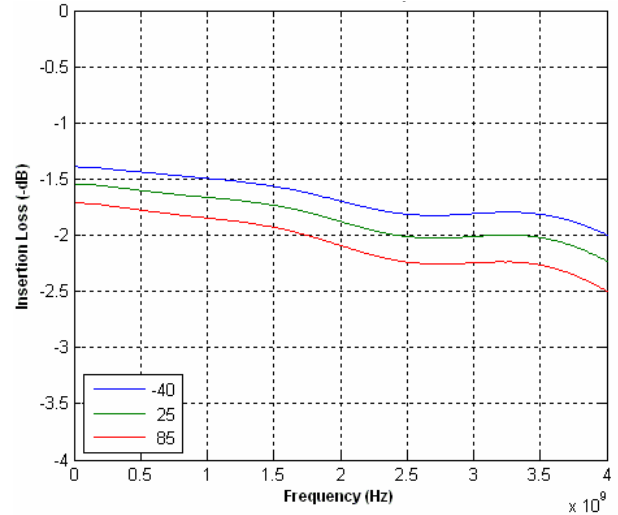
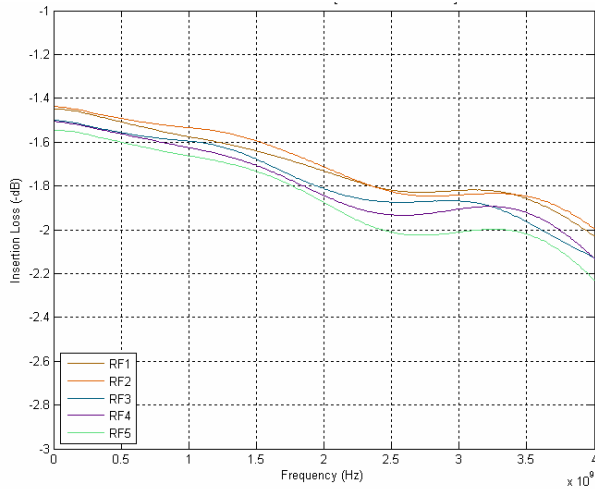
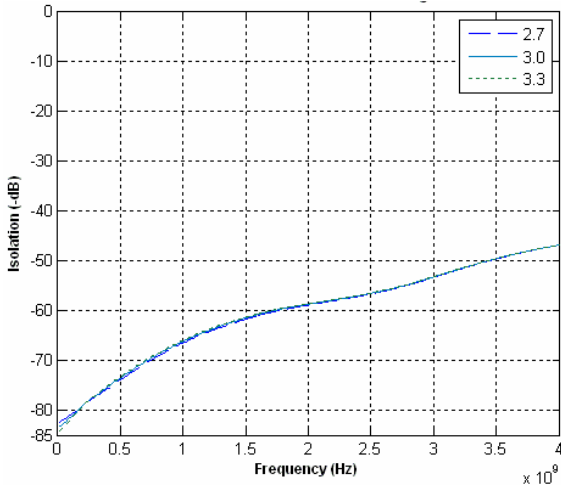


Figure 8. Insertion Loss: All Paths

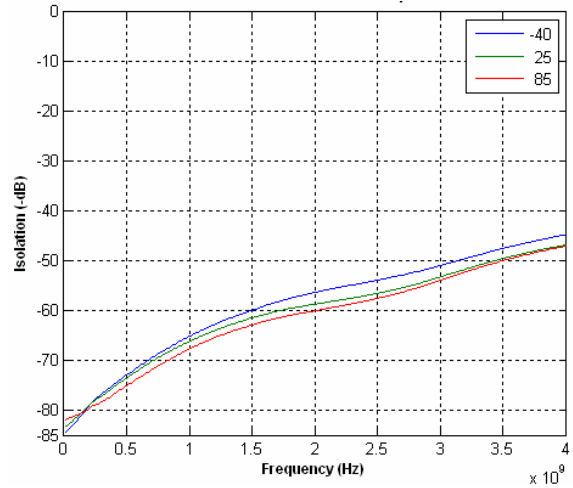


**Performance Plots @ 25 °C and 3.0 V unless otherwise specified**

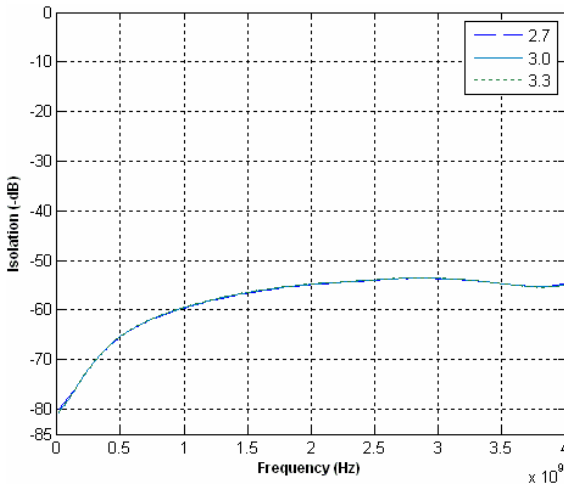
**Figure 9. Isolation: RFC-RFX @ 25 °C**



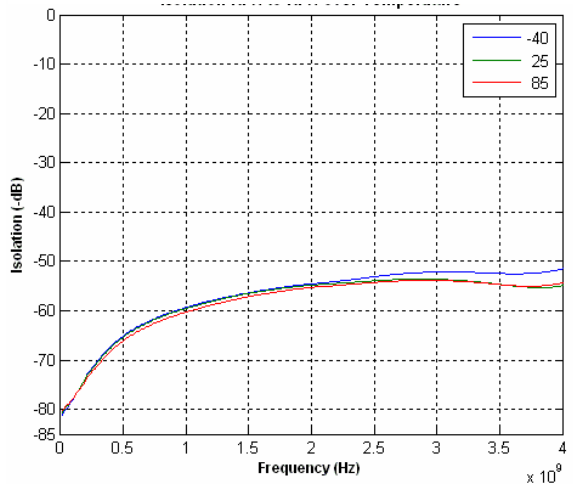
**Figure 10. Isolation: RFC-RFX @ 3.0 V**



**Figure 11. Isolation: RFX-RFX @ 25 °C**



**Figure 12. Isolation: RFX-RFX @ 3.0 V**



Performance Plots @ 25 °C and 3.0 V unless otherwise specified (Continued)

Figure 13. Return Loss at active port @ 25 °C

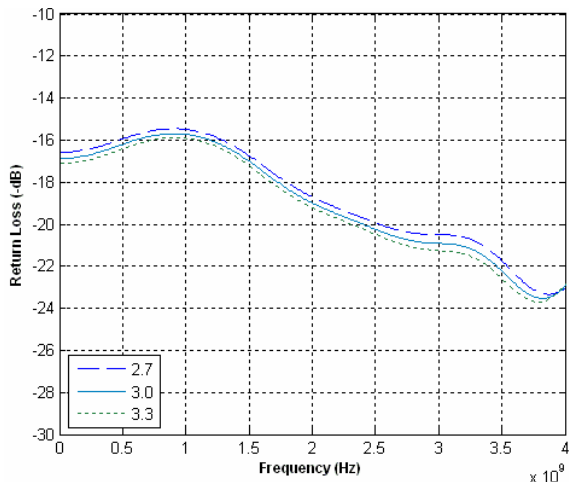


Figure 14. Return Loss at active port @ 3.0 V

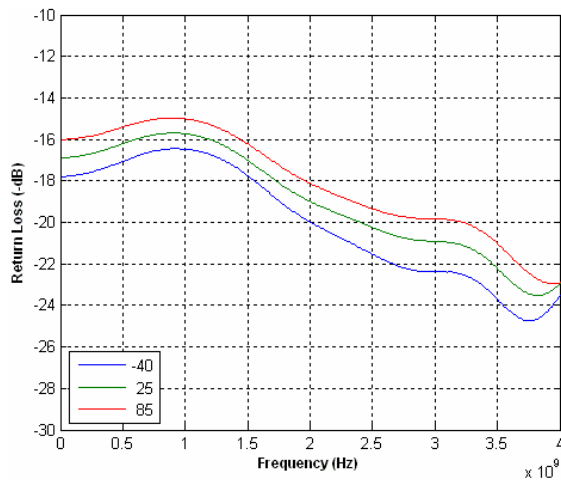


Figure 15. Return Loss: RFC @ 25 °C

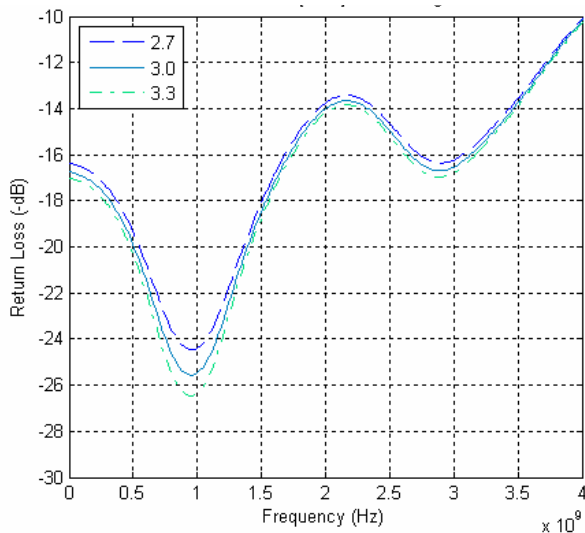


Figure 16. Return Loss: RFC @ 3.0 V

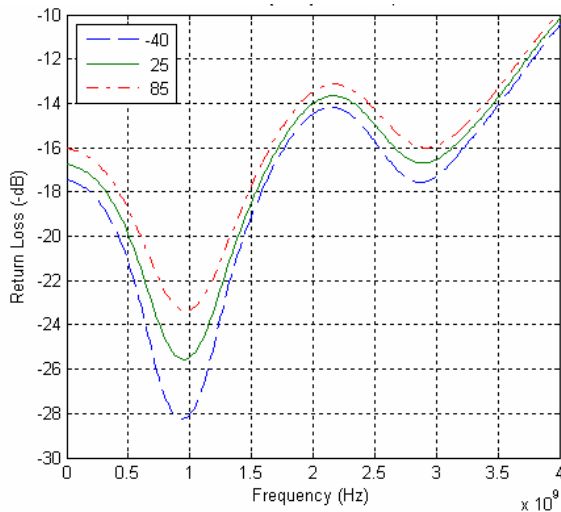
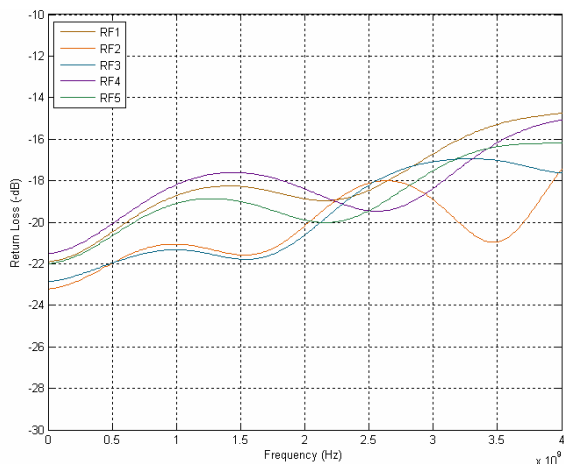
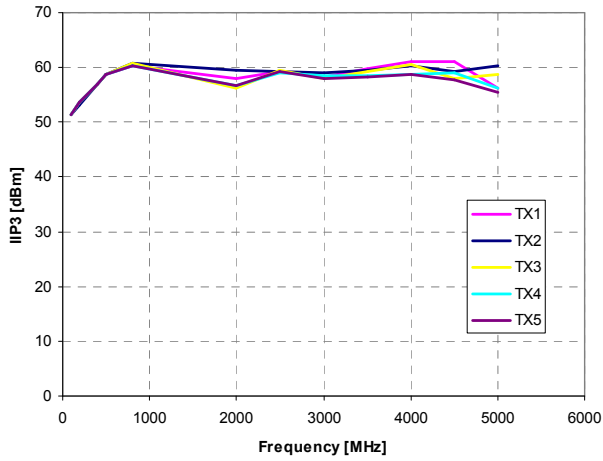


Figure 17. Return Loss: All Paths, Terminated

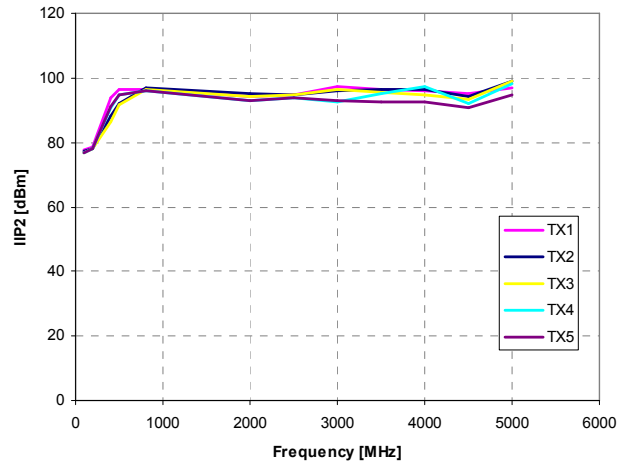


**Performance Plots @ 25 °C and 3.0 V unless otherwise specified (Continued)**

**Figure 18. Nominal Linearity Performance (IIP3)**



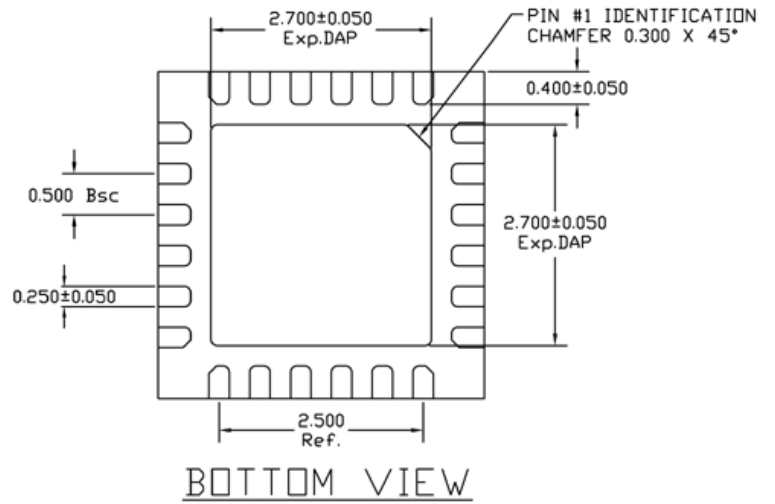
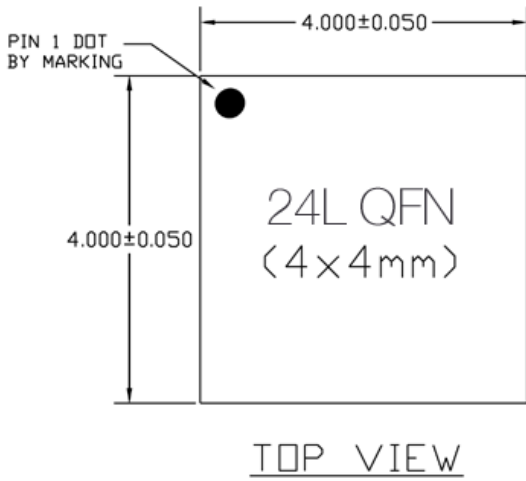
**Figure 19. Nominal Linearity Performance (IIP2)**



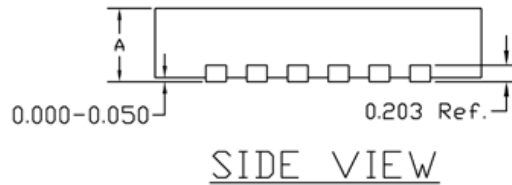


**Figure 20. Package Drawing**

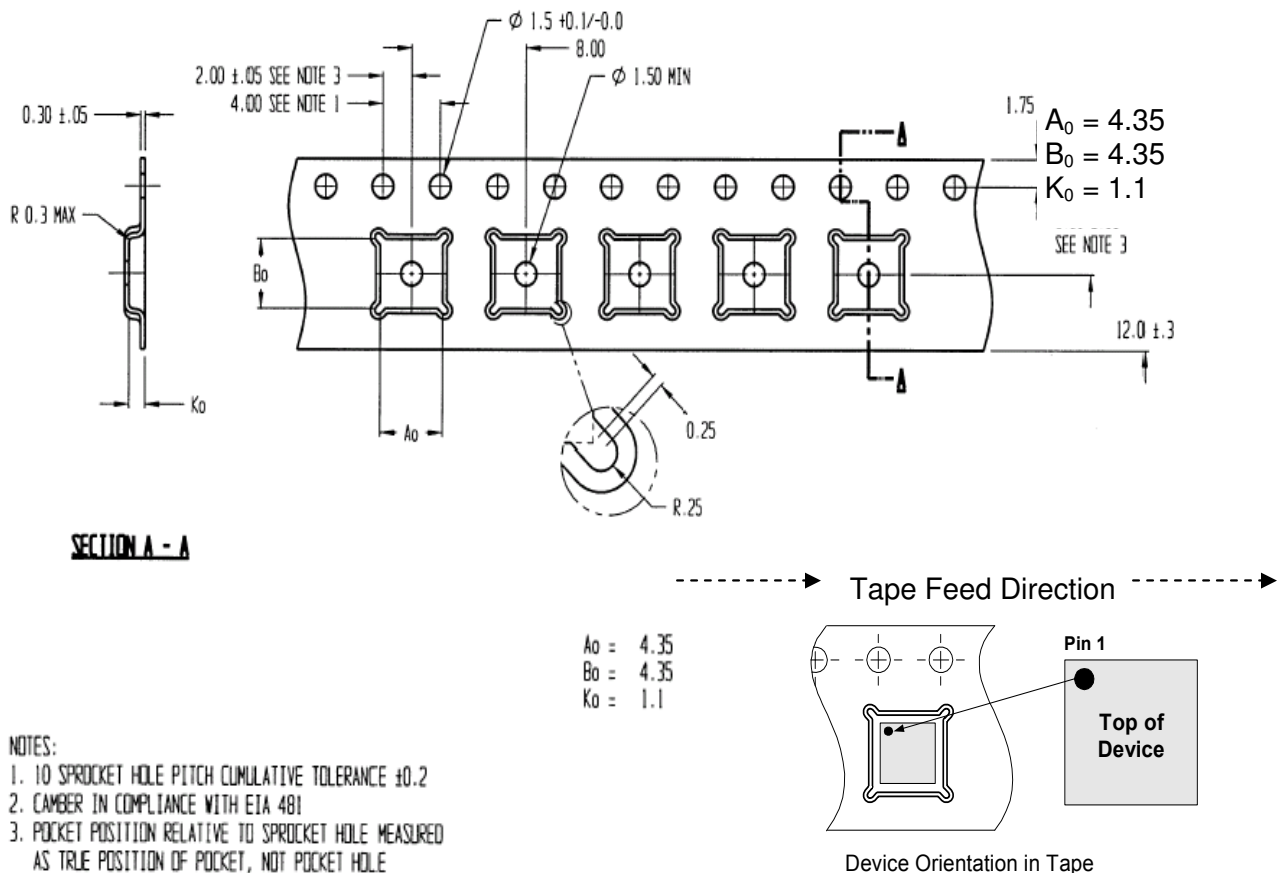
Peregrine Specification 19/0130



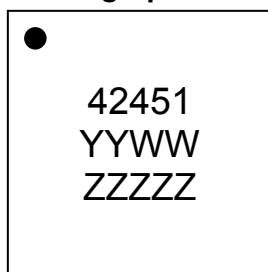
<b>A</b>	Max.	0.900
	Nom.	0.850
	Min.	0.800



**Figure 21. Tape and Reel Drawing**



**Figure 22. Marking Specifications**



YYWW = Date Code  
ZZZZZ = Last five digits of Lot Number

**Table 6. Ordering Information**

Order Code	Part Marking	Description	Package	Shipping Method
PE42451MLIAA	42451	PE42451G-24QFN 4x4mm-cut off tape and reel	Green 24-lead 4x4mm QFN	Bulk or tape cut from reel
PE42451MLIAA-Z	42451	PE42451G-24QFN 4x4mm-3000C	Green 24-lead 4x4mm QFN	3000 units / T&R
EK42451-01	PE42451 -EK	PE42451-24QFN 4x4mm-EK	Evaluation Kit	1 / Box

## Sales Offices

### *The Americas*

#### **Peregrine Semiconductor Corporation**

9380 Carroll Park Drive  
San Diego, CA 92121  
Tel: 858-731-9400  
Fax: 858-731-9499

### *Europe*

#### **Peregrine Semiconductor Europe**

Bâtiment Maine  
13-15 rue des Quatre Vents  
F-92380 Garches, France  
Tel: +33-1-4741-9173  
Fax : +33-1-4741-9173

#### **High-Reliability and Defense Products**

##### *Americas*

San Diego, CA, USA  
Phone: 858-731-9475  
Fax: 848-731-9499

##### *Europe/Asia-Pacific*

Parc Cezanne 1  
380 Avenue Archimède, Parc de la Duranne  
13857 Aix-En-Provence Cedex 3, France  
Phone: +33-4-4239-3361  
Fax: +33-4-4239-7227

#### **Peregrine Semiconductor, Asia Pacific (APAC)**

Shanghai, 200040, P.R. China  
Tel: +86-21-5836-8276  
Fax: +86-21-5836-7652

#### **Peregrine Semiconductor, Korea**

#B-2607, Kolon Tripolis, 210  
Geumgok-dong, Bundang-gu, Seongnam-si  
Gyeonggi-do, 463-943 South Korea  
Tel: +82-31-728-3939  
Fax: +82-31-728-3940

#### **Peregrine Semiconductor K.K., Japan**

Teikoku Hotel Tower 10B-6  
1-1-1 Uchisaiwai-cho, Chiyoda-ku  
Tokyo 100-0011 Japan  
Tel: +81-3-3502-5211  
Fax: +81-3-3502-5213

For a list of representatives in your area, please refer to our  
Web site at: [www.psemi.com](http://www.psemi.com)

## Data Sheet Identification

### **Advance Information**

The product is in a formative or design stage. The data sheet contains design target specifications for product development. Specifications and features may change in any manner without notice.

### **Preliminary Specification**

The data sheet contains preliminary data. Additional data may be added at a later date. Peregrine reserves the right to change specifications at any time without notice in order to supply the best possible product.

### **Product Specification**

The data sheet contains final data. In the event Peregrine decides to change the specifications, Peregrine will notify customers of the intended changes by issuing a CNF (Customer Notification Form).

The information in this data sheet is believed to be reliable. However, Peregrine assumes no liability for the use of this information. Use shall be entirely at the user's own risk.

No patent rights or licenses to any circuits described in this data sheet are implied or granted to any third party.

Peregrine's products are not designed or intended for use in devices or systems intended for surgical implant, or in other applications intended to support or sustain life, or in any application in which the failure of the Peregrine product could create a situation in which personal injury or death might occur. Peregrine assumes no liability for damages, including consequential or incidental damages, arising out of the use of its products in such applications.

The Peregrine name, logo, and UTSi are registered trademarks and UltraCMOS, HaRP, MultiSwitch and DuNE are trademarks of Peregrine Semiconductor Corp.